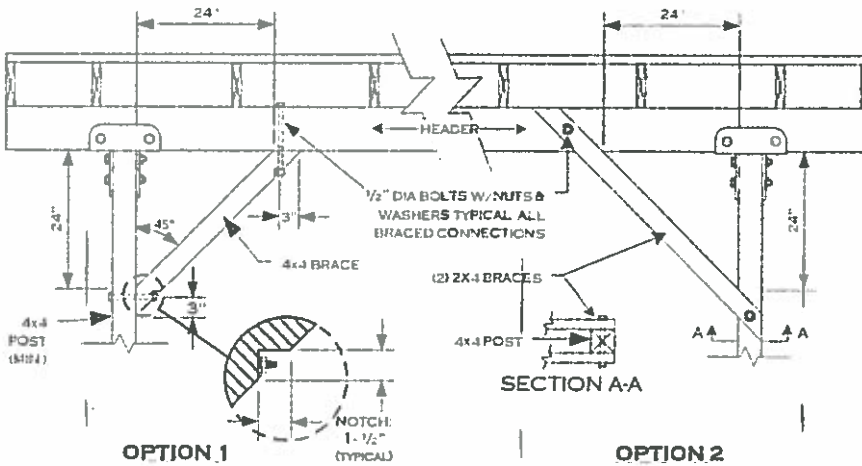
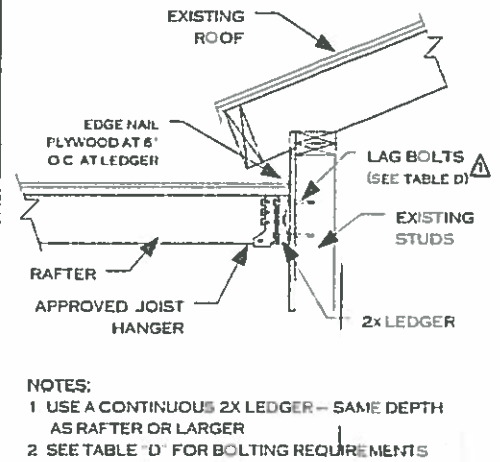


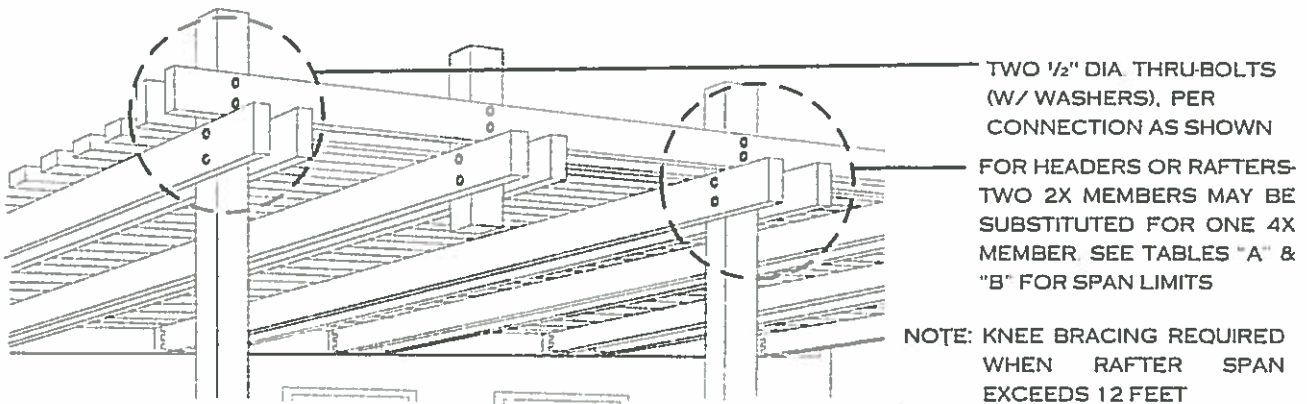
KNEE BRACE DETAIL AT END POSTS
(REQUIRED WHEN RAFTER SPAN EXCEEDS 12 FT.)



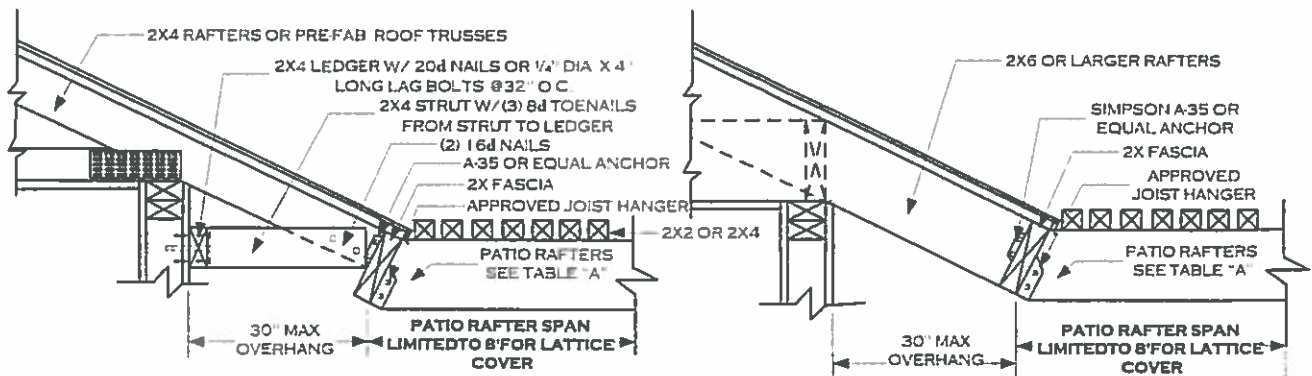
LEDGER ATTACHMENT DETAIL



INVERTED HEADER DESIGN OPTION (LATTICE ONLY)



2X FASCIA (OVERHANG) ATTACHMENT - LATTICE ONLY



NOTE: VERIFY STRUCTURAL SOUNDNESS OF ROOF RAFTERS FOR DECAY OR TERMITE DAMAGE, AND REPLACE WITH LIKE MATERIALS AS NEEDED, AFTER CONSULTATION WITH THE BUILDING DEPARTMENT.



City of Eastvale

Building Department

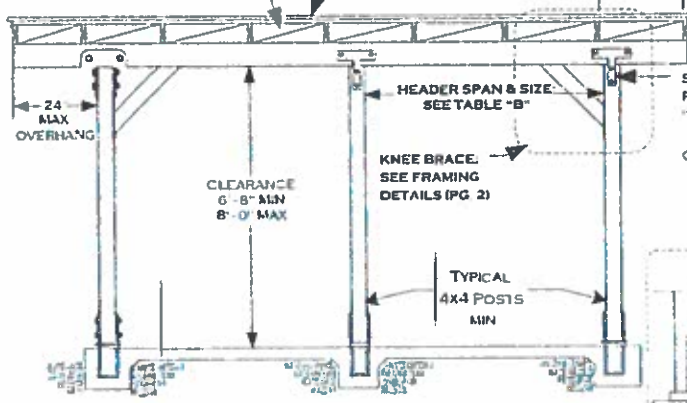
Patio Cover Detail

2x SOLID BLOCKING REQUIRED FOR ALL SOLID PATIO COVERS W/ MIN (3) 16d TOENAILS TO HEADER OR A-34 OR EQUAL FRAMING ANGLES

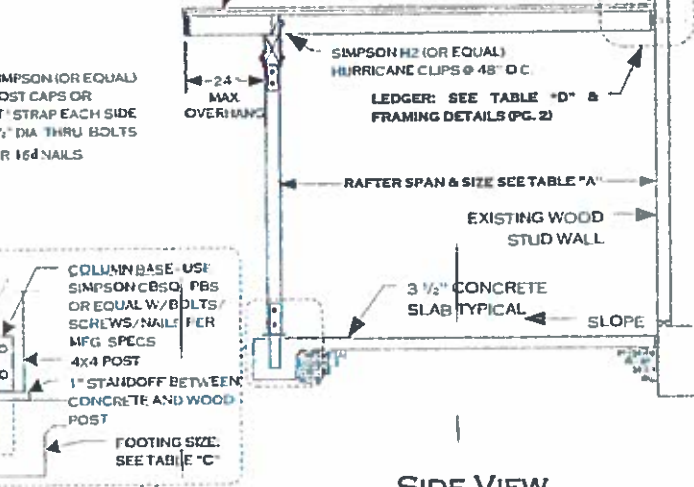
2x2 OR 2x4 @ 3' O.C. MIN SPACING LATTICE OR 1/2" NOMINAL PLYWOOD WITH BUILT-UP OR ROLL ROOFING

RAFTER SPACING: SEE TABLE "A"

ROOF SLOPE 1/4" PER FOOT MIN
EDGE NAIL PLYWOOD W/ 8d NAILS @ 6" O.C. (STANDARD 6" / 12" NAILING ELSEWHERE)



FRONT VIEW



SIDE VIEW

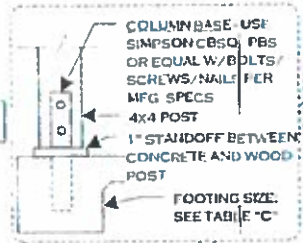


TABLE "A"
RAFTER SPANS
(DOUGLAS FIR #2 OR BETTER)

SIZE	SPACING	SPAN
2x4	12" O.C.	9'-10"
	16" O.C.	8'-11"
	24" O.C.	7'-8"
	32" O.C.	*6'-3"
2x6	12" O.C.	15'-4"
	16" O.C.	13'-9"
	24" O.C.	11'-3"
	32" O.C.	*9'-7"
2x8	12" O.C.	20'-0"
	16" O.C.	18'-2"
	24" O.C.	14'-10"
	32" O.C.	*12'-8"
2x10	12" O.C.	20'-0"
	16" O.C.	20'-0"
	24" O.C.	18'-11"
	32" O.C.	*16'-2"
4x4	24" O.C.	10'-0"
	32" O.C.	*9'-3"
	48" O.C.	*7'-8"
4x6	24" O.C.	15'-11"
	32" O.C.	*13'-9"
	48" O.C.	*11'-3"
4x8	24" O.C.	20'-0"
	32" O.C.	*18'-2"
	48" O.C.	*14'-10"

TABLE "B"
HEADER SIZE & SPANS
(DOUGLAS FIR #2 OR BETTER)

RAFTER SPAN	HEADER	
	SPAN	SIZE
UP TO 12'-0"	8'-0" MAX	4x6
	10'-0" MAX	4x8
	12'-0" MAX	4x10
	14'-0" MAX	4x12
12'-1" TO 20'-0"	8'-0" MAX	4x8
	10'-0" MAX	4x10
	12'-0" MAX	4x12
	14'-0" MAX	4x14

TABLE "C"
FOOTING SIZE

BASED ON 1000 P.S.F. SOIL BEARING PRESSURE.
18" SQ. X 12" DEEP
18" SQ. X 12" DEEP
18" SQ. X 12" DEEP
18" SQ. X 12" DEEP
24" SQ. X 12" DEEP
24" SQ. X 12" DEEP
24" SQ. X 12" DEEP
24" SQ. X 12" DEEP

TABLE "D"
LEDGER BOLTING Δ

ALL LAG BOLTS SHALL HAVE 1/4" PRE-DRILLED HOLES - (SEE NOTE 2)

1/2" DIA. X 5" LONG AT 16" O.C. STAGGERED

(2) 3/8" DIA X 5" LONG AT 16" O.C.

NOTES:

- TWO 2X MEMBERS MAY BE SUBSTITUTED FOR ONE 4X HORIZONTAL FRAMING MEMBER.
- LAG BOLTS MUST FULLY ENGAGE A WOOD STUD OR RIM JOIST AND BE PROVIDED WITH APPROPRIATE WASHERS. LAG BOLTS SHALL BE LOCATED A MINIMUM OF 1-1/2" FROM THE TOP OR BOTTOM OF THE LEDGER.
- NOT DESIGNED TO BE ENCLOSED - ADDITIONAL ENGINEERING ANALYSIS WILL BE REQUIRED IF ENCLOSED.
- SEE PAGE 2 OF 2 FOR CONSTRUCTION DETAILS.
- ARTIFICIAL LIGHTING IS REQUIRED IN ROOMS THAT HAVE WINDOW OPENINGS INTO THE COVERED PATIO AREA IF THE TOTAL WINDOW AREA IN THAT ROOM IS LESS THAN 10% OR THE FLOOR AREA OF THE ROOM OR 20 SQUARE FEET, WHICHEVER IS GREATER. Δ

DISCLAIMER:

ALTERNATE PATIO DESIGNS MAY BE POSSIBLE WHEN PROVIDED WITH AN ENGINEERED ANALYSIS. USE OF THIS CONVENTIONAL STANDARD DESIGN IS AT THE USER'S RISK AND CARRIES NO IMPLIED OR INFERRED GUARANTEE AGAINST FAILURE OR DEFECTS.

* THIS SPACING AND SPAN IS FOR LATTICE PATIO COVERINGS ONLY.

WESTERN RIVERSIDE COUNTY CODE UNIFORMITY PROGRAM



City of Eastvale

Building Department

Patio Cover Detail